

Instructions for Ward's

Superlite

Gasoline Lamps

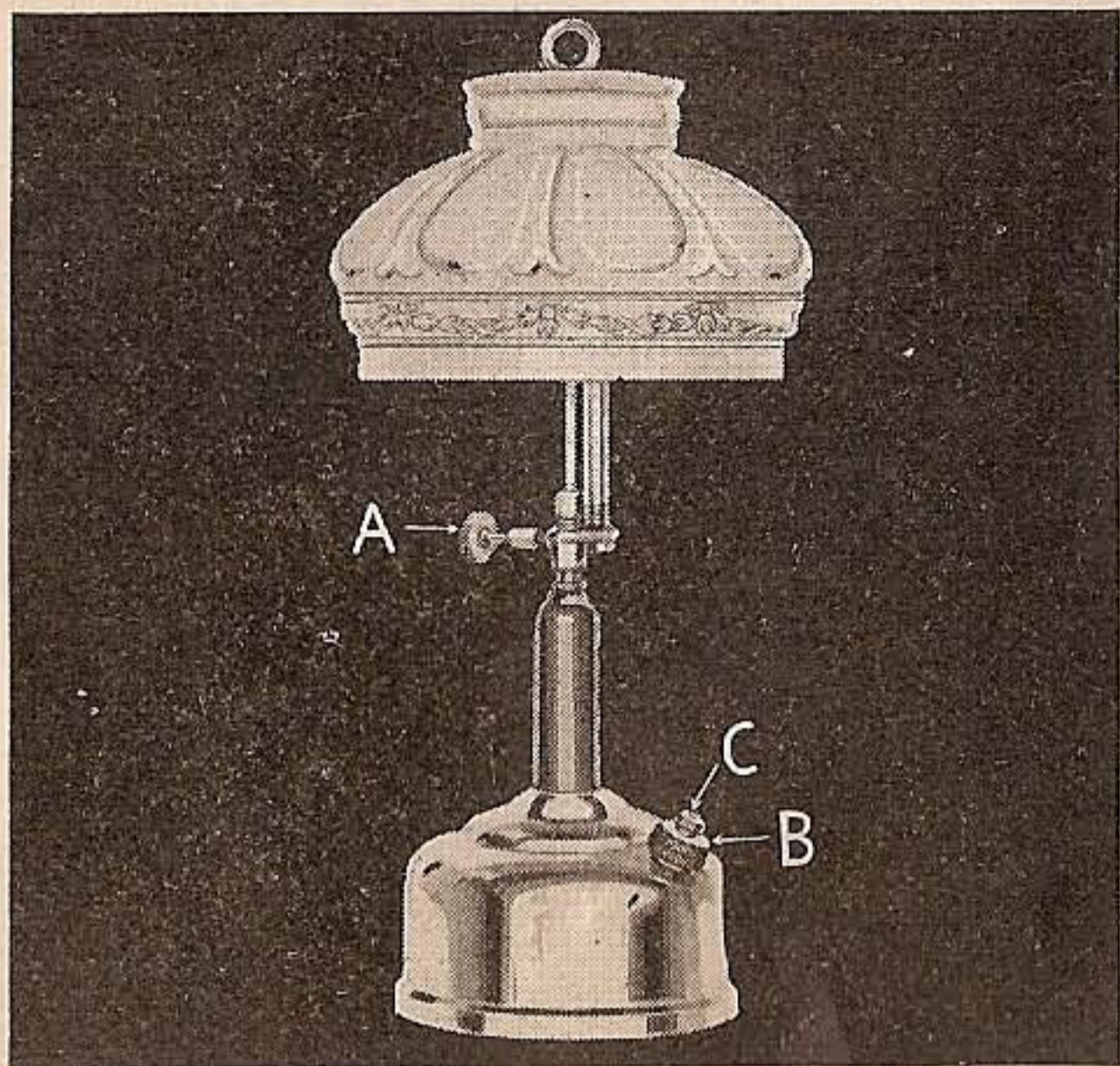


Montgomery Ward Co.

Satisfaction Guaranteed or Your Money Back

Chicago Kansas City St. Paul Baltimore
Portland Oakland Fort Worth Denver

Read These Instructions Carefully



Picture 1. This picture identifies the important parts of your lamp. When you want to put the light out, simply turn the valve stem "A" to the right.

First, Fill the Lamp with Gasoline

CAUTION: Fill the lamp away from flame and in the day time to avoid all danger from fire. Never go near the lamp with gasoline when it is lighted.

Be careful not to spill gasoline. If you accidentally spill some wipe it up carefully and be sure it has all dried before lighting a match.

To fill the lamp, close the valve "A" (See Picture 1) by turning it to the right as far as it will go. Then remove the filler plug "B." Use the funnel and a chamois skin strainer and pour about five tea cups of clean gasoline into the fount. This will fill the fount to the proper point, about one-half full. When you replace

To make sure that your lamp will operate perfectly we gave it a rigid inspection and a careful burning test before we sent it to you. With the proper care and attention your lamp will give splendid service.

Read the instructions carefully and follow them step by step. Even though you have used many other gasoline mantle lamps, it is a good plan to read all about this lamp and be sure you understand just how it operates.

Use Clean, Pure Gasoline

It is very important to use clean gasoline. Strain the gasoline through a piece of chamois skin or several thicknesses of closely woven cloth to remove any particles of dirt or foreign matter.

Use ordinary motor gasoline. When buying, use care to see that it is clean and pure. Never use Benzol, kerosene, Ethyl or high test gasoline as they contain chemicals which will clog the generator.

the filler plug, be sure that the rubber washer is in the proper position. When the rubber washer becomes worn, replace it with the extra one furnished. For average use two or three hours an evening, it should be necessary to fill the lamp about once a week. **Never open the filler plug "B" while the lamp is burning.**

Loosen the air valve "C" by giving it one turn to the left. Then take the pump which is furnished and pump in about 30 strokes of air. Remove pump and quickly turn the air valve to the right. Use only your fingers as too much force on the air valve may destroy the valve seat and cause it to leak.

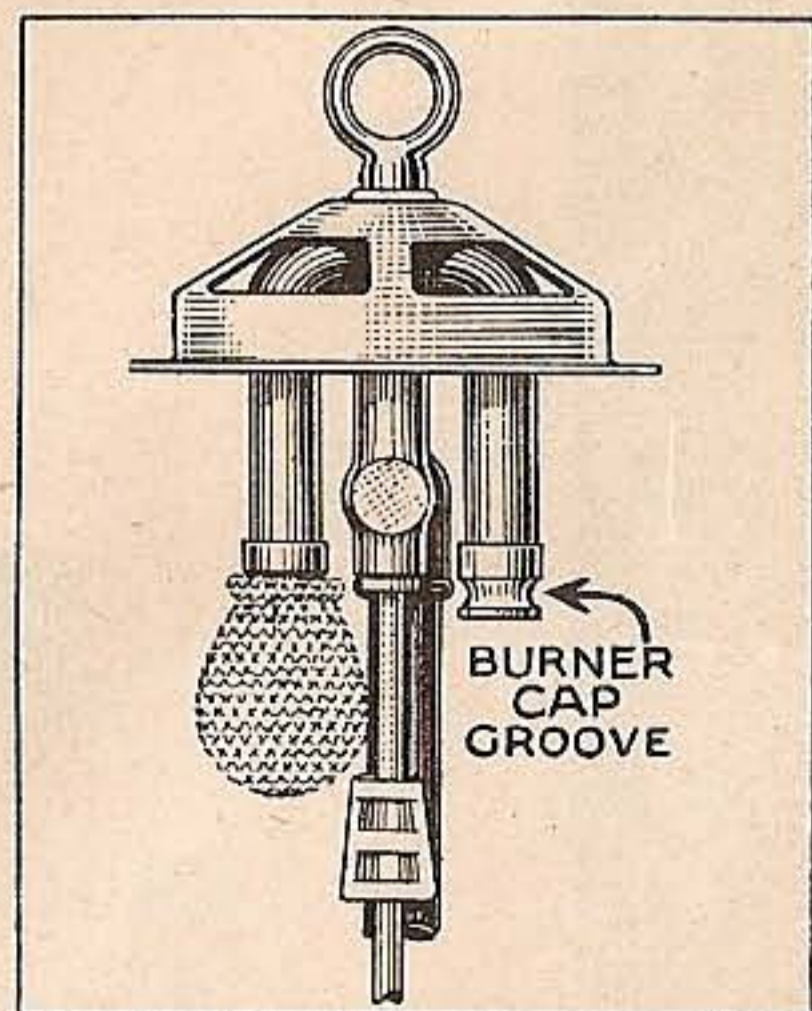
Attach the Mantles to the Burner Caps

Fasten the mantles to the burners by tying the string around the mantles on the groove of the burner caps as shown in Picture 2. Before putting on a mantle, form it out with your fingers as evenly as possible and distribute the fabric evenly. Then put the mantle over the burner cap, pull the string tight and tie it in place. After tying cut off the long ends of the string.

Before you can use the mantles with a lamp the coating of chemicals must be burned off. To burn off the protecting chemicals simply light the mantles with a match after they have been tied in position. Do not attempt to operate the lamp until the mantles have had time to become cool.

After the protecting chemicals have been burned off, the mantles are naturally very delicate and should not be touched. However, they will stand a reasonable amount of jar, such as the lamp receives when it is being filled or pumped up.

Do not try to operate the lamp with broken mantles. When a mantle is damaged or broken, replace it with a new one.



Picture 2—Slip the mantle over the burner cap groove, pull the string tight and tie it.

How to Light Your Lamp

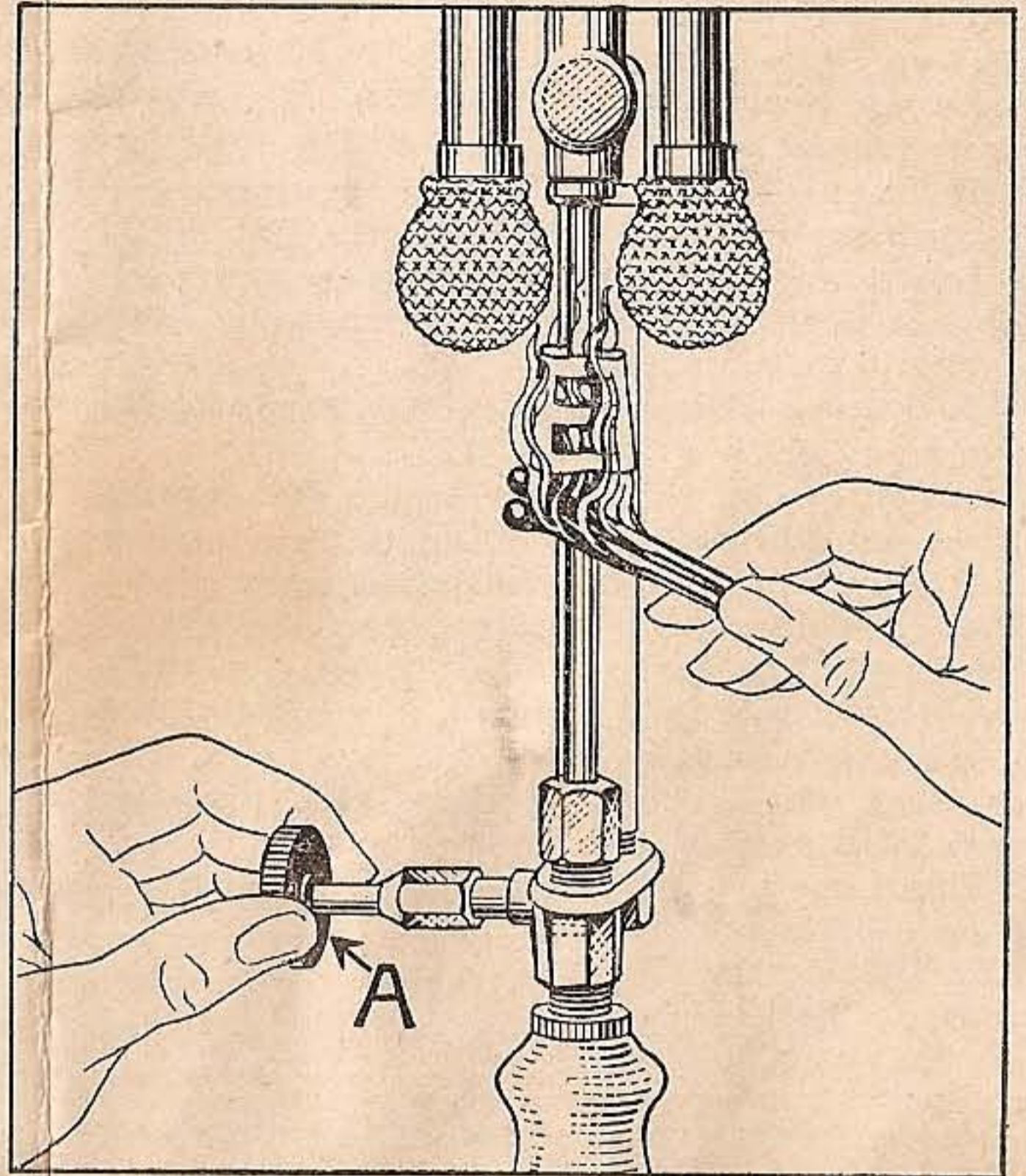
You will find it easy to light your lamp if these instructions are followed carefully. Be sure that the valve "A" is tightly closed by turning it to the right as far as it will go.

With the right hand, hold two burning matches under the flue of the generator as shown in Picture 3. Allow the generator to become thoroughly heated by the matches.

When the matches are nearly burned out, open the valve "A" by giving it about one half turn to the left and light the mantles.

It is very important to heat the generator sufficiently to convert the gasoline in the generator into vapor. The use of two matches of the ordinary parlor type, burned at the same time almost to the ends, will give enough heat if held in the manner shown in Picture 3.

When the generator has not been heated sufficiently, it allows raw gasoline instead of vapor to enter the mantles, causing them to flare up. Should this happen do not be alarmed. Simply close the valve "A" by turning it to the right as far as it will go, and allow the flame to burn itself out until the mantles grow dim. Then open the valve stem about half a turn and the mantles will glow with a bright steady light.



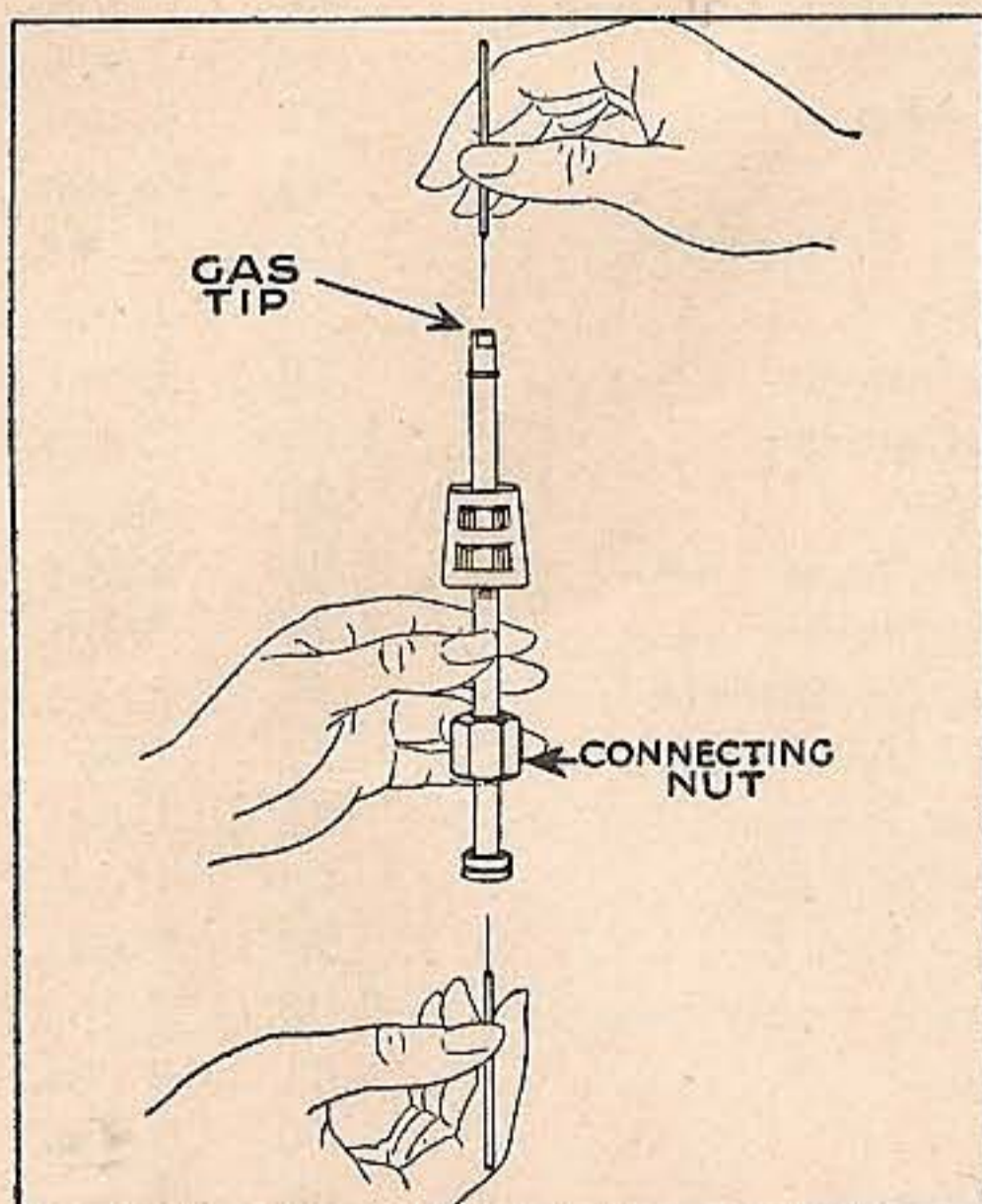
Picture 3—Hold two lighted matches under the flue of the generator and next to the mantles as shown. When the matches have been almost entirely burned, turn the valve "A" to the left.

To Put the Light Out

Turn the valve "A" to the right as far as it will go. The light will not go out instantly, but will burn from 15 to 30 seconds after you close the valve. **Do not blow out**

the light. After the light goes out do not open the valve stem.

If you have any trouble and the lamp does not light properly, start all over again and be sure to follow the instructions carefully.



Picture 4—When cleaning the gas tips, use only the wire tip cleaner that is furnished with your lamp.

Keep the Generator Clean

After the lamp has been in use for some time, if the mantles do not light up with their usual brilliancy, it is a sign that the generator or gas tip is becoming clogged with carbon or dirt.

Unscrew the connecting nut of the generator (see Picture 4) with the wrench which is furnished and remove the generator from the lamp. Insert the wire tip cleaner in the small opening in both the top and bottom of the generator. Never attempt to clean the tip with a needle or anything except the tip cleaner which is furnished, as you may enlarge the opening and render the generator gas tip useless.

If cleaning both ends of the generator does not correct the trouble you will know that the packing has become clogged and it will be necessary to replace the generator with the extra one that is furnished.

The burner caps are the pieces of metal with the groove in them for tying on the mantles. (See Picture 2). If the screens in the burner caps become stopped up, your light will grow dim. To clean them, simply unscrew the caps and brush out the dirt.

Questions and Answers

Question:—What makes the lamp blaze up and smoke when I light it?

Answer:—The generator has not been heated properly. Hold two matches under the flue of the generator until they are nearly burned out, then open the valve and light the mantles.

Question:—What makes my lamp grow dim or go out?

Answer:—Out of gasoline—refill. No air pressure—pump in air. Leak in air valve—remove filler plug and if rubber washer is worn or defective, replace with new washer. Generator tips clogged or carbonized—remove generator and clean it (see instructions). Generator filled with carbon—replace with new generator.

Question:—What makes the mantles turn black?

Answer:—Stoppage of air intake on burner—clean out air intake tube. Sometimes insects or a piece of paper may be lodged in the

Always be sure that the valve "A" (See Picture 3) is tightly closed when the mantles are not lighted.

Always light the lamp according to the detailed directions given on Page 3.

tube. Dirty screens in the burner cap—(see last paragraph on page 3).

Question:—What makes the shades break while lamp is in operation?

Answer:—One or more holes in the mantles allowing intense heat to concentrate on one point of shade causing it to crack—put on new mantles.

Question:—What makes lamp burn with flame after being carefully generated with two matches?

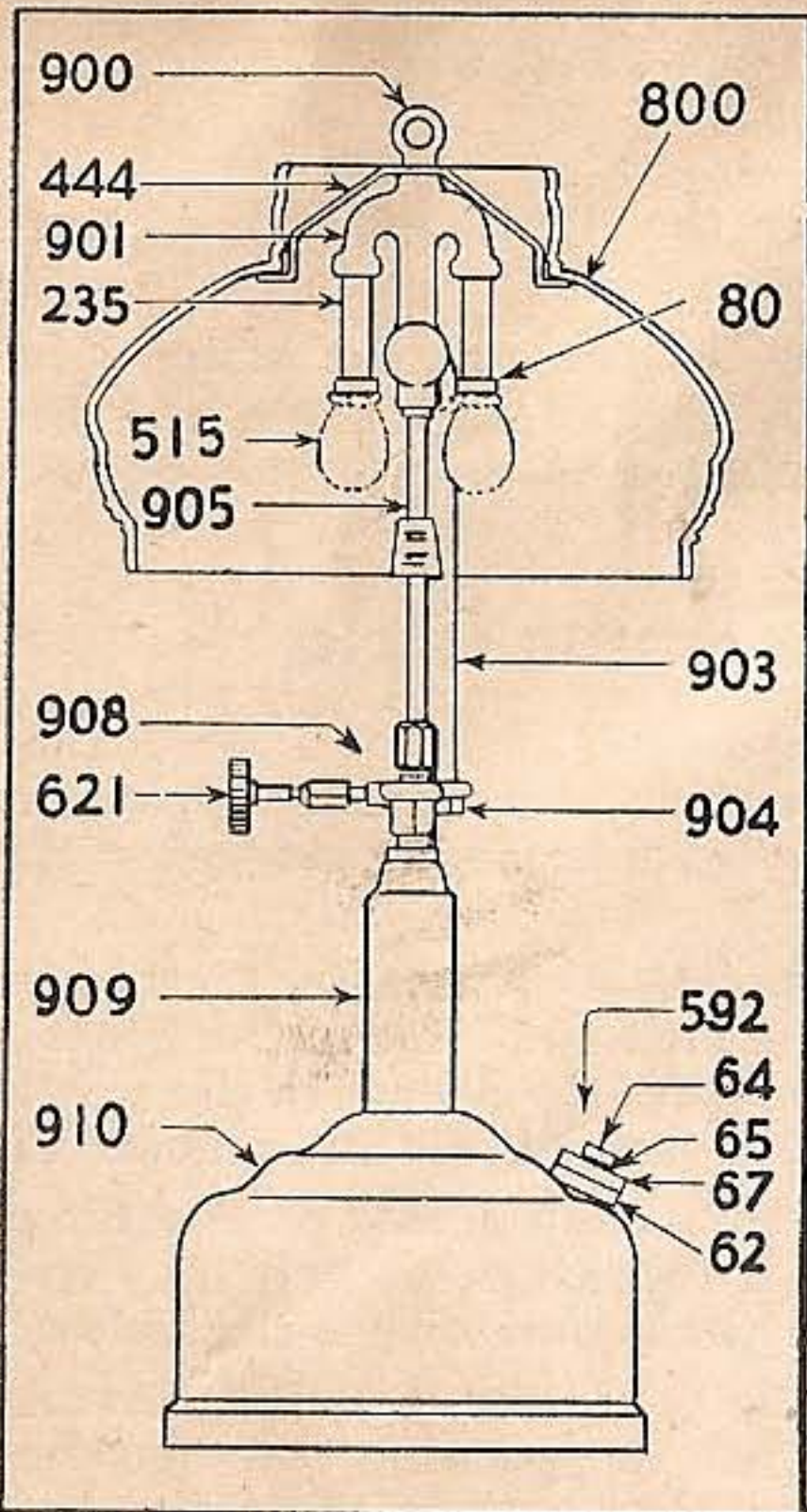
Answer:—Loose tip in top of generator—screw tip down tight. Generator tip may be enlarged due to use of needle instead of tip cleaner—put in new generator.

Question:—What makes generators only last a week or two?

Answer:—Not enough heat applied to generator when lighting causing mantles to flare up and smoke. Dirty gasoline.

If you should ever need repair parts, you can obtain the quickest service by ordering them from the Ward house to which you send your

orders. When you write to us, be sure to mention the number and name of each part just as it is given in the repair parts list.



Picture 5. You will find it helpful to refer to this illustration. Find the picture of the part you need and notice the number next to the part. The same number preceded by "R.P." is in the repair part list at the right.

Superlite Gasoline Lamp Repair Parts

Part Number	Name of Part	Price	Shipping Weight
50 R.P.- 900	Shade Holder Knob	\$0.10	3 ozs.
50 R.P.- 444	Shade Holder	.30	4 ozs.
50 R.P.- 901	Gas Mixing Casting	1.40	13 ozs.
50 R.P.- 235	Burner Tubes	.14	2 ozs.
50 R.P.- 80	Burner Heads	.20	3 ozs.
50 R.P.- 903	Air Intake Tube	.40	3 ozs.
50 R.P.- 904	Hexagon Nut	.12	1 ozs.
50 R.P.- 800	Shade	.95	2 1/2 lbs.
50 R.P.- 905	Generator, Complete	.35	2 ozs.
50 R.P.- 906	Orifice Tip	.15	1 oz.
50 R.P.- 907	Cleaning Needle	.10	1 oz.
50 R.P.- 908	Valve, complete	1.05	5 ozs.
50 R.P.- 621	Valve Stem	.29	2 ozs.
50 R.P.- 909	Lamp Handle	.30	3 ozs.
50 R.P.- 910	Bowl, complete	3.20	3 lbs.
50 R.P.- 592	Filler Plug, complete	.57	3 ozs.
50 R.P.- 64	Filler Plug Air Stem	.20	1 oz.
50 R.P.- 65-C	Filler Plug Body	.24	1 oz.
50 R.P.- 62	Filler Plug Washer	.03	1 oz.
50 R.P.- 67	Filler Plug Cap	.24	1 oz.
50 R.P.- 920	Lamp Head, complete	3.00	1 1/2 lbs.
50 R.P.- 922	Air Pump	.51	8 ozs.
50 R.P.- 921	Wrench	.10	2 ozs.
50 R.P.- 265	Burner Screen	.01	1 oz.
50 R.P.- 515	Junior Mantels	.35	4 ozs. (6 for)